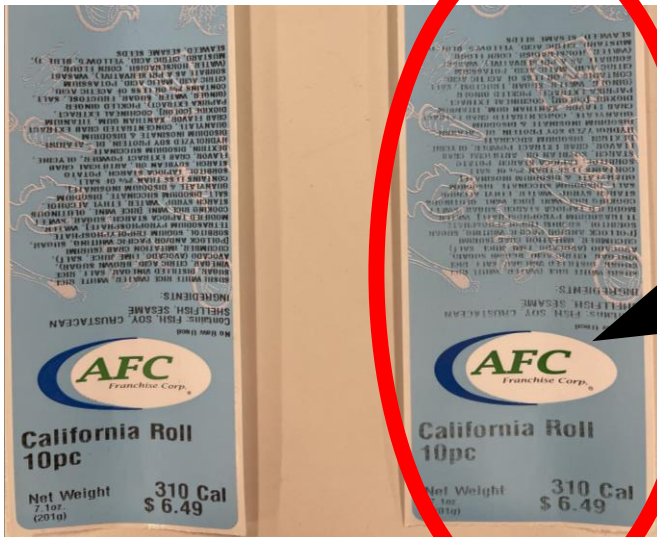


Printer Cleaning Zebra (Printhead)



Fading letters



Printer Cleaning Zebra

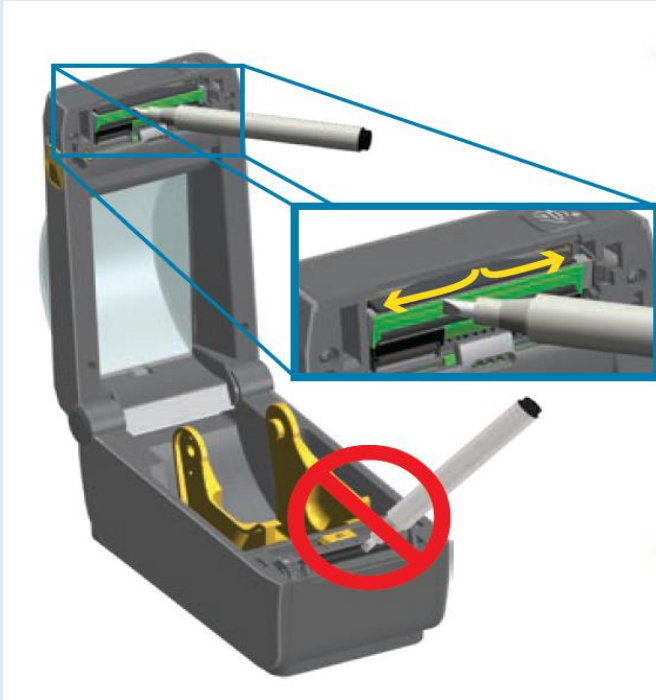
Standard Time
30 Sec

Instructions

Issue Date
6/28/23

1

30 sec



Cleaning the printhead

1. Turn off the printer
2. Use the thermal printhead cleaning pen or alcohol pad to clean the printhead.
3. Allow the printhead to dry before resume printing.